

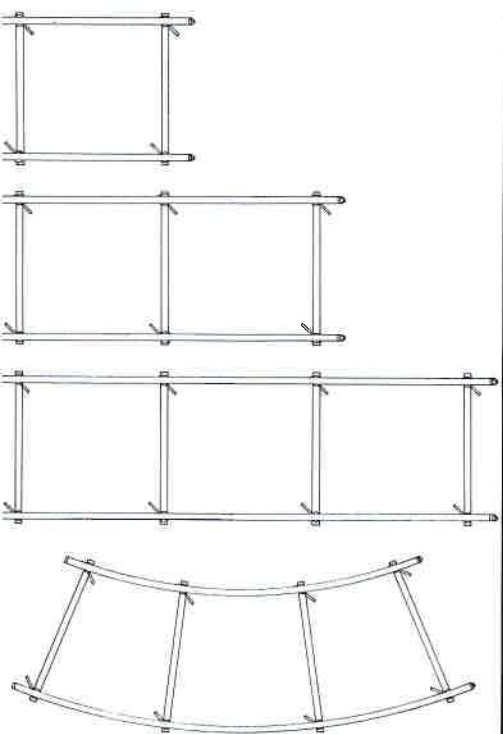


# THE MINI-PANTHER



# MINI-PANTHER SYSTEM CONFIGURATION

## TRACKS



Track Sections  
 0,90 m Order No. 203    1,60 m Order No. 204    2,30 m Order No. 205    45° acr Order No. 206    Tie-Brace Order No. 207

## ACCESSORIES FOR STEERING



Panther Steering Rod  
Order No. 572



Special Short Steering Rod  
Order No. 506

The FGV Mini-Panther offers two different steering rods. Even the most cramped spaces can be coped with by using the proper rod.



Steer-Out  
Order No. 523

## ACCESSORIES FOR TRACKING



Mini-Panther Pneumatic Wheels  
Order Nr. 431



Mini Panther Studio Wheels  
Order N. 430

The Mini Panther comes with FGV Panther Kombiwheels, which are suitable for use on floor, straight or curved track. But the Mini Panther even offers additional options for floor movement. The Studio wheels are designed for use on smooth ground or carpeted floors, while the pneumatic tires suaratel even shots on rough ground. Of course, all wheels are easily interchangeable.



Steerage Transmission Rod  
Order No. 505L



Steerage Transmission Rod, short version  
Order No. 570



Wheel Locking Bar  
Order Nr. 532



Wheel Locking Bar, short version  
Order No. 571

By mounting the wheel locking bar, one can eliminate even the slightest deviation from a straight path for long tracking shots. By using the Steerage Transmission Rod, the Mini Panther can negotiate narrow curves and be steered through tight circles.



Side Locking Bar  
Order Nr. 505

The steerage transmission rod is also a great aid in wheel adjustment.

## A SECURE PLATFORM FOR PERSONNEL AND EQUIPMENT



Panther Standing Platform, aluminium  
Order No. 508A

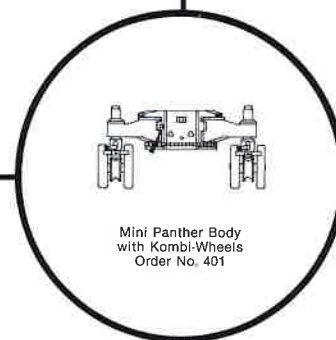
The Mini-Panther is designed to offer the maximum security in terms of balance and stability. Even the heaviest offset loads can be compensated for:



Counterbalance Rod for Panther  
Order No. 520



Counterweight  
15 kg (33 Lbs)  
Order No. 121



Mini Panther Body with Kombi-Wheels  
Order No. 401

## LOW RIG



Mini Panther Low Rig  
Order No. 420

Tricky shots become easy when the camera can be precisely offset. The Mini-Panther's offset rigs, when combined with the Rotatable adapters, make positioning and repositioning the camera quick and simple.

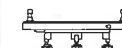


Mini Panther Low Rig  
Order No. 420



Mini Low Rig  
Order No. 123

## THE COLUMNS



Mini Panther Turnstile Attachment  
Order No. 411

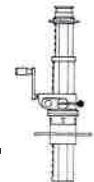


Mini Panther Magic Column  
Order No. 414

Column pedestal allows for smooth vertical movement in both directions at the touch of a finger. Perfect dampening of vibration and smooth starts and stops are but a few of its many features.



Mini Panther Turnstile Attachment  
Order No. 411



Mini Panther Cranked Column  
Order No. 413

The Cranked Column utilizes a smooth hand-crank for height adjustment. The two speed transmission allows for smooth transitions even while shooting.



Mini Panther platform  
Order No. 410



FGV Turnstile Attachment  
Order No. 101

With the FGV turnstile attachment, the Euro adapter is supplemented by two solid seat mounts for operator and assistant.



Mini Panther platform  
Order No. 410



Center-Off, complete  
Order N. 422

This combination is especially useful for the Lightweight Jib, making a lot of leeway for the camera operator.



Mini Panther platform  
Order No. 410



Euro-Adapter Mount  
Order No. 421

With the Euro adapter mount, anything from fixed bazookas to the FGV Lightweight Jib can be mounted on the Mini Panther base.



Mini Panther Fix Column  
Order No. 412

If you only need a tracking base — for example for heavy cranes — and do not want to do without the advantages of the Mini Panther — you will be pleased about the new fixed column.

## SEAT EXTENSIONS, SEATS AND PLATFORMS

### Seat Extensions (v/h)

10 cm (4")  
Order No. 110



20 cm (8")  
Order No. 111



30 cm (12")  
Order No. 112



### Vertical Seat Extensions

10 cm  
Order No. 113



20 cm  
Order No. 114



30 cm  
Order No. 115



Connector Pin  
Order No. 116



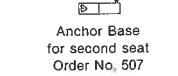
Panther Seat Circular  
Order No. 109 R



Panther Seat Contour  
Order No. 109



Running Board Platform  
Order No. 513

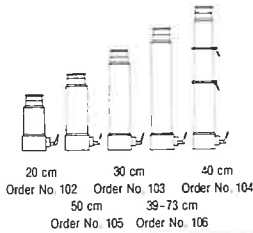


Anchor Base  
for second seat  
Order No. 507

The Anchor-base for second seat allows operators and/or assistants to stand or sit on the Mini-Panther's wheel brackets.

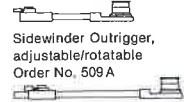
All seat-extensions can be combined easily for operator comfort. Only the requisite number of connector pins are needed.

## BAZOOKAS



For high-angle shots, the Bazooka column extensions allow the camera to reach heights even beyond the range of the adjustable columns. All Bazookas are compatible among themselves and the columns, and can be easily locked together for greater camera heights. Pneumatic springs in the adjustable bazooka simplify height adjustment under loads.

## OFFSET RIGS



Sidewinder Outrigger, adjustable/rotatable  
Order No. 509 A



Short Outrigger, rotatable 40 cm  
Order No. 509 B



U-Bangi  
Order No. 534



Potable Adapter  
Order No. 530

The Mini-Panther allows extreme low-angle shooting by using the Low Rig, either in conjunction with a normal or inverted head. Any one of the following combinations will result in breathtaking low-angle photography:

## THE LIGHTWEIGHT JIB

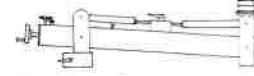
The Lightweight Jib's precise spindle counterbalancing system allows for quick counterbalancing, precise finetuning, and reduced bulk. No more than 4 counterweights are necessary. Jib reach can be extended with an adjustable sidewinder outrigger. With the Lightweight Jib's special Low Rig, the camera can even be placed below floor level.



FGV Lightweight Jib with weight rod  
Order No. 120



FGV Lightweight Jib with weight rod  
Order No. 120



FGV Lightweight Jib with weight rod  
Order No. 120



Counterweight 15 kg  
Order No. 121 (33 Lbs)



Counterweight 15 kg  
Order No. 121 (33 Lbs)



Counterweight 15 kg  
Order No. 121 (33 Lbs)



Low Rig for Lightweight Jib  
Order No. 122 A



Small Offset Rig for Lightweight Jib  
Order No. 122

## FIRM SUPPORT FOR EVERY CAMERA HEAD



3-way Leveller, Mitchell type  
Order No. 118



Standard Ball Adapter  
Order No. 107



Offset Ball Adapter  
Order No. 108

To adapt for use of camera heads with a 100 mm ball mount:



Adapter Converter, 35 to 16  
Order No. 107 A

And to allow for minimum lens-to-ground distance, one can even invert a normal head and use the following:



Low Shot Plate  
Order No. 119

## TRANSPORT CASES

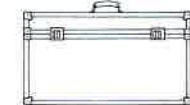
For both safe transport and organized storage. Every item is neatly stored and ready at hand — even in the most hectic location situations.



Case for Mini Panther Wheels  
Order No. 565



Case for Standing Platform Set  
Order No. 543



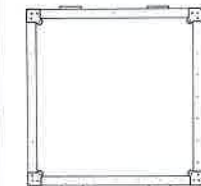
Case for Panther Accessories  
Order No. 522



Case for U-Bangi and Accessories  
Order No. 558



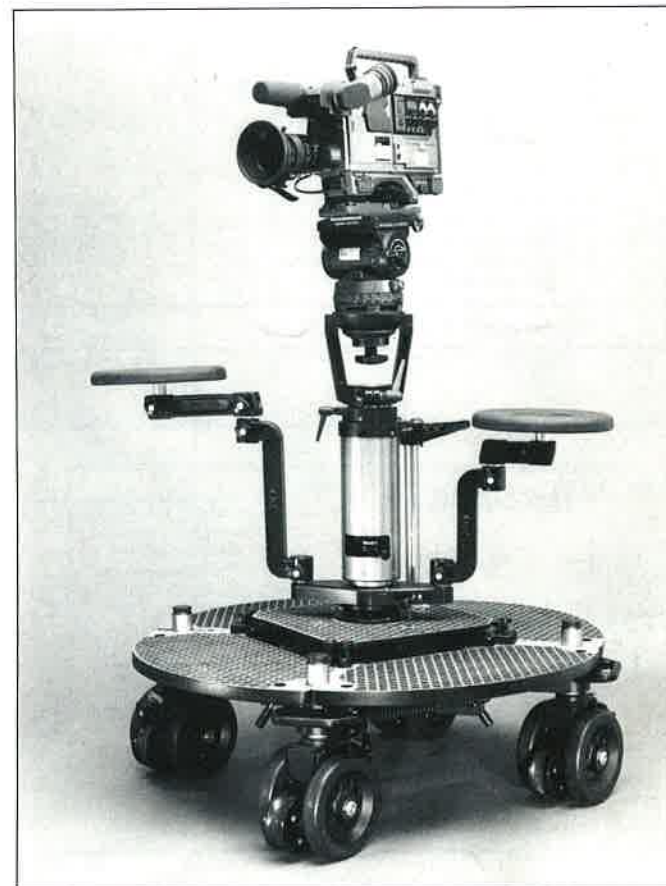
Case for Lightweight Jib with Accessories  
Order No. 556



Transport Case for Panther  
Order No. 540



The **FGV Mini Panther system** is a fully professional camera support system designed to combine minimum bulk with maximum versatility. Combined with its wide range of accessories, the Mini Panther is a powerful tool that can solve any shooting problem. Mini Panther technology ensures compatibility — all upgrades and accessories are easily and quickly installed. The Mini Panther is also compatible with the incredible array of accessories available for the FGV Super Panther. The options are simply up to the user. One can start small, big, or in-between, depending on one's needs — there is no unnecessary »ballast« in the Mini Panther program.



#### **FGV Panther GmbH**

Manufacture and Sales of Cinematographic Equipment  
Grünwalder Weg 28c, 8024 Oberhaching-München  
West Germany  
Phone (89) 6 13 10 07  
Telex 528 144 panth d, Telefax (89) 6 13 10 00

#### **FGV Panther Corporation of America**

Rental and Sales of Cinematographic Equipment  
4242 Lankershim Blvd.  
North Hollywood, CA 91602  
Phone (818) 761-5414, Telefax (818) 761-5455

