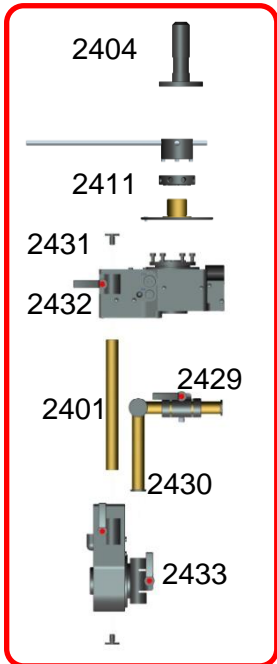
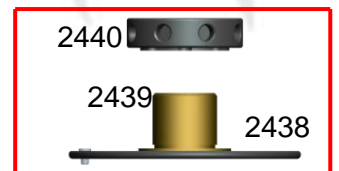
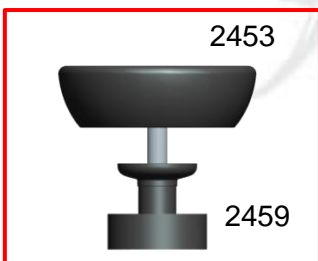
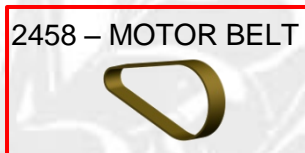
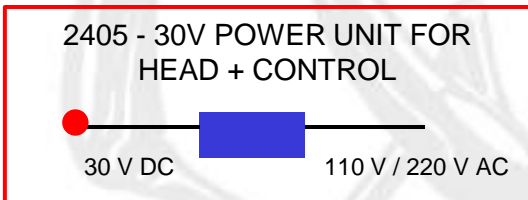
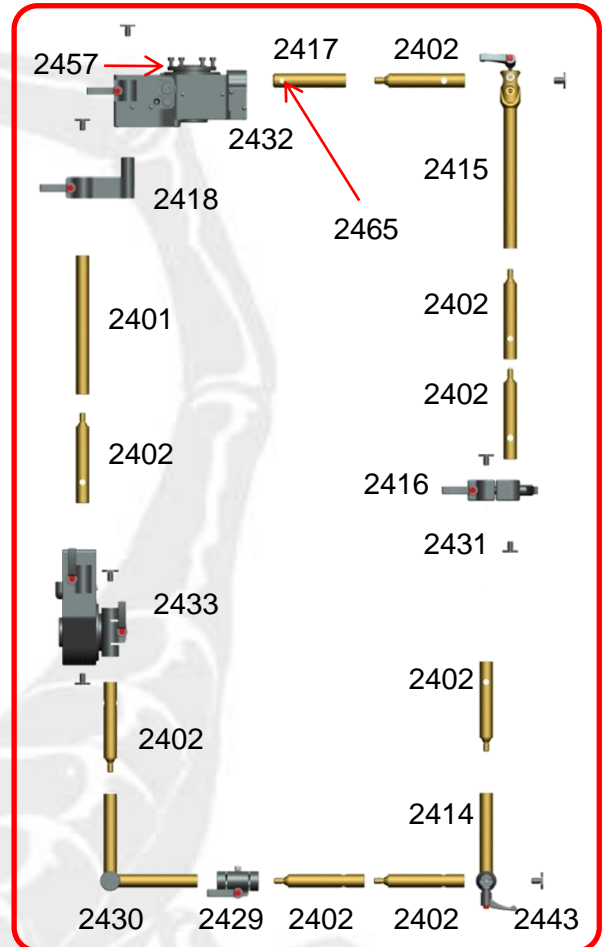
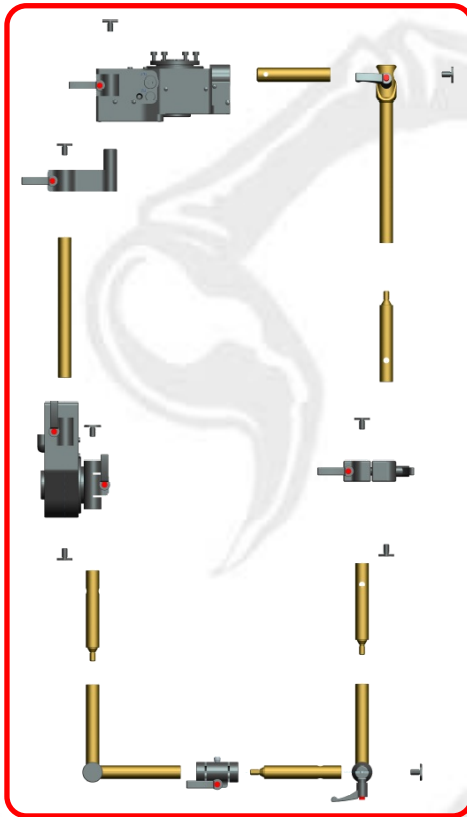


DETAILED ASSEMBLY

Ref. 2400



Ref. 2400 + Ref. 2413



2428 - MOUNT FOR Ø 100 mm BOWL

2412 - MOUNT FOR Ø150 mm BOWL

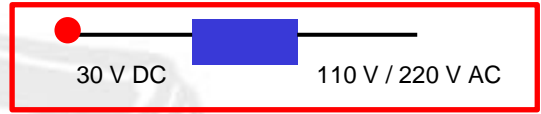
2411 - MOUNT FOR JIMMY JIB CRANE

2403 - MITCHELL MOUNT

DETAILED ASSEMBLY

MAIN CONTROL MODULE Ref. 2406
 (JOYSTICK)

Ref. 2405 - 30V POWER UNIT FOR HEAD + CONTROL



Ref. 2435



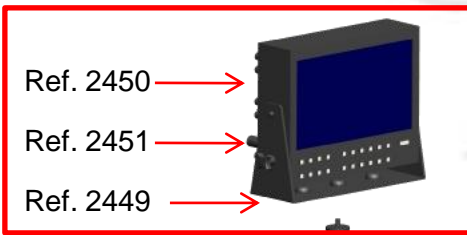
Ref. 2434



Ref. 2406

HANDWHEELS

Ref. 2410



Ref. 2435



Ref. 2436

Ref. 2437

Ref. 2409

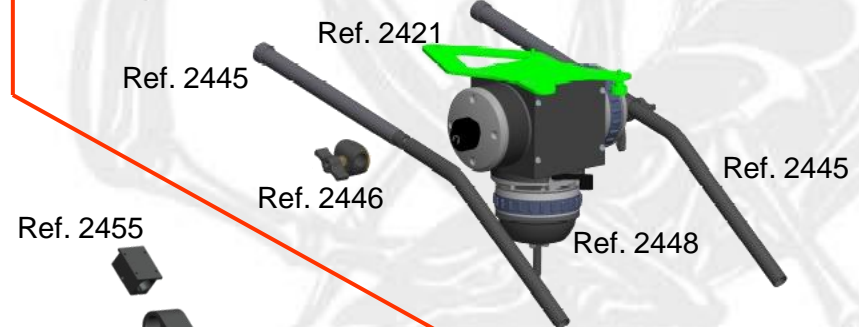
PAN BAR (JDR) Ref. 2408



Ref. 2434

Ref. 2406

Ref. 2422



Ref. 2421

Ref. 2445

Ref. 2446

Ref. 2445

Ref. 2448

Ref. 2455

Ref. 2456



Ref. 2404



Ref. 2412



Ref. 2428



Ref. 2403



Ref. 2423

Ref. 2424

Ref. 2426

Ref. 2427

EXTERNAL JOYSTICK