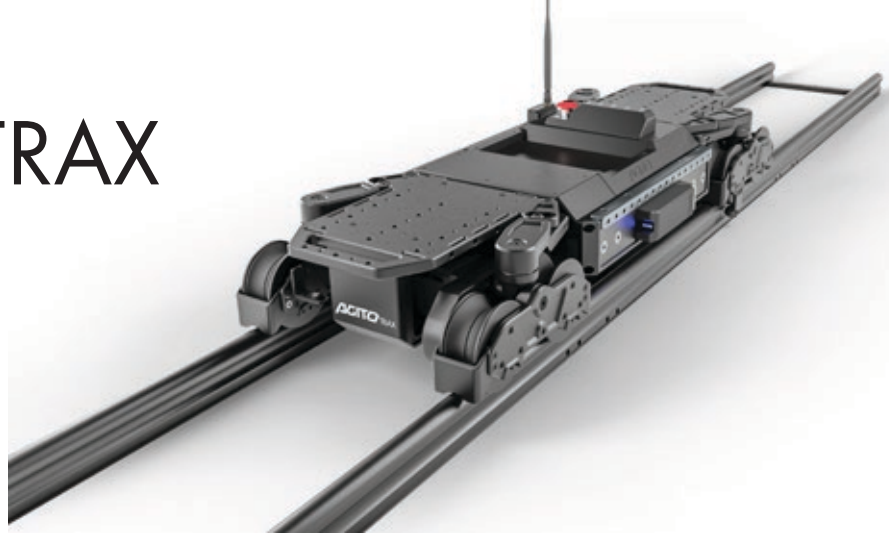


AGITO TRAX

Product Specification



Communications:

RF - Modular, 2.4GHz Hopping spread spectrum standard (Other frequencies available)
Operating range - Up to 300m (Dependant on environment)
AUX Data connection - CAN Bus, RS232, UART
Hardwire data solutions available.

Control:

Magnetic endstop capability
Position encoders from non-slip wheels
Adjustable throttle behaviours
Recordable moves - 30 minute move memory

Power:

Power - 2 x 48v (100Wh flight safe) Lithium Ion batteries
Battery charging - 2 x Chargers included
Charge time - 1 hr from flat
Battery lifecycle - 300-500 charge cycles
Aux power output - 2 x 12VDC (Total shared 2A load)
Hardwire 48V PSU Available

Performance:

Top Speed: 7mph (3.2m/s)
Minimum Speed: 0.16ft/s (0.05m/s)

Mounting:

Camera/head mounting:
- Via V-Con Pro & Mitchell Plate: Mitchel Mount (Cheese-Plate Adapter for Freefly & Ronin 2 mounting included.)
- Via AGITO Tower: Motion Impossible Quick Release Plate. (Supports SHOTOVER G1, ARRI SRH-3/360, Freefly, Ronin 2)

Transportation/storage:

Packs in to flight cases, each under 32kg.

More information can be found in the AGITO Manual, available here: www.motion-impossible/downloads/

Contact

Phone +44 (0)1454 501010
e-mail sales@motion-impossible.com
Web www.motion-impossible.com

AGITO TRAX PRODUCT SPEC rev.1.3 - Jan2021

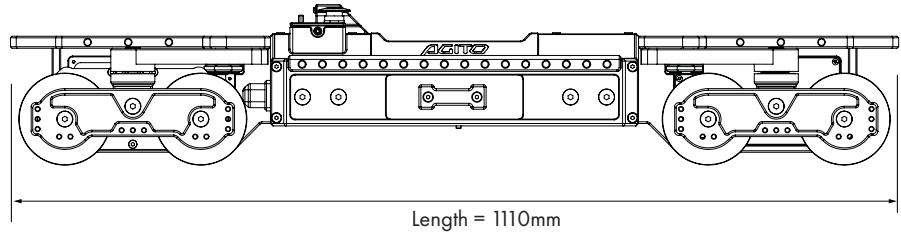
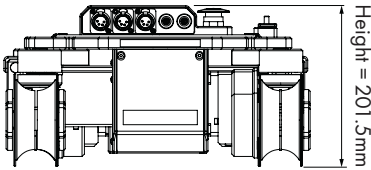


Motion Impossible Ltd

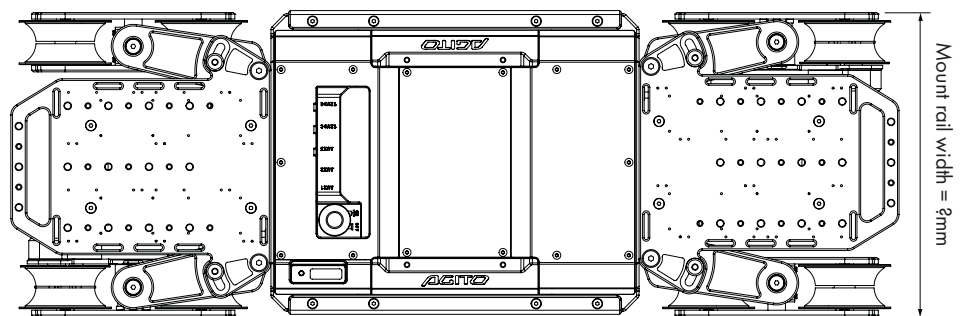
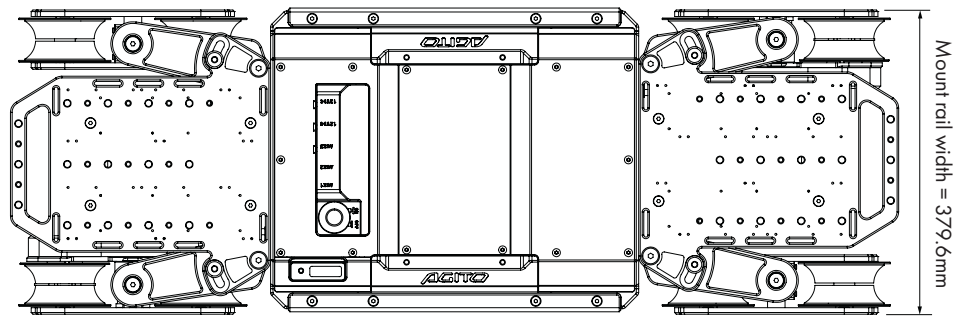
Unit 12 Brunel Court, Dean Road
Yate, Bristol, UK,
BS37 5NR

Physical Specification

(Base only)



AGITO Trax
Minimum Curve Radius = 2m
Track Width = 300mm-409mm
(11.8"-16.1")



Contact

Phone +44 (0)1454 501010
e-mail sales@motion-impossible.com
Web www.motion-impossible.com



Motion Impossible Ltd

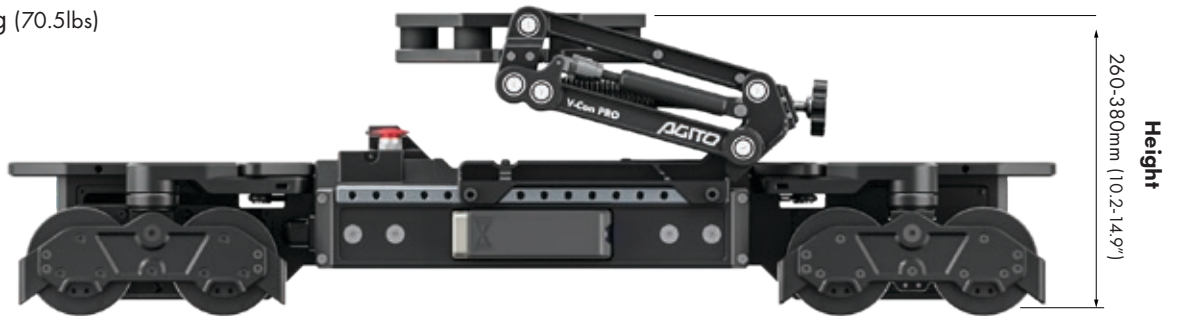
Unit 12 Brunel Court, Dean Road
Yate, Bristol, UK,
BS37 5NR

(Trax + V-Con Pro)

Chassis Weight = 52Kg (96.1lbs)

Mounting Height = 260-380mm (10.2-14.9")

Max Payload: 32Kg (70.5lbs)

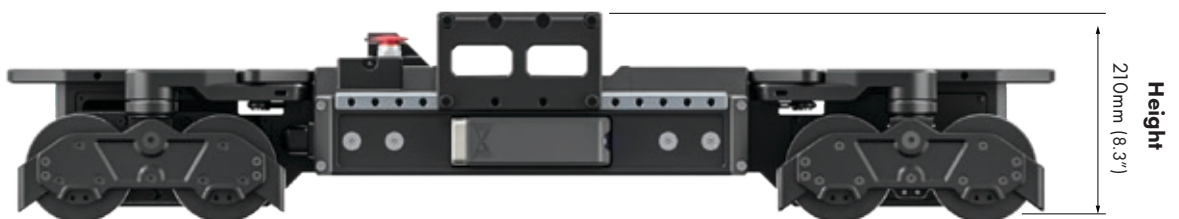


(Trax + Mitchell Plate)

Chassis Weight = 48Kg (96.1lbs)

Mounting Height = 210mm (8.3")

Max Payload: 64Kg (141lbs)
(90kg (198.4lbs) tot. with 2x Mitchell Plates)



Contact

Phone +44 (0)1454 501010
e-mail sales@motion-impossible.com
Web www.motion-impossible.com



Motion Impossible Ltd

Unit 12 Brunel Court, Dean Road
Yate, Bristol, UK,
BS37 5NR

AGITO TRAX

(Trax + Tower)

Chassis Weight = 55Kg (96.1lbs)

Mounting Height:

Bottom Position = 735mm (28.9")

Top Position = 1445mm (56.9")

Max Payload: 22Kg (48.5lbs)



Contact

Phone +44 (0)1454 501010

e-mail sales@motion-impossible.com

Web www.motion-impossible.com



Motion Impossible Ltd

Unit 12 Brunel Court, Dean Road
Yate, Bristol, UK,
BS37 5NR